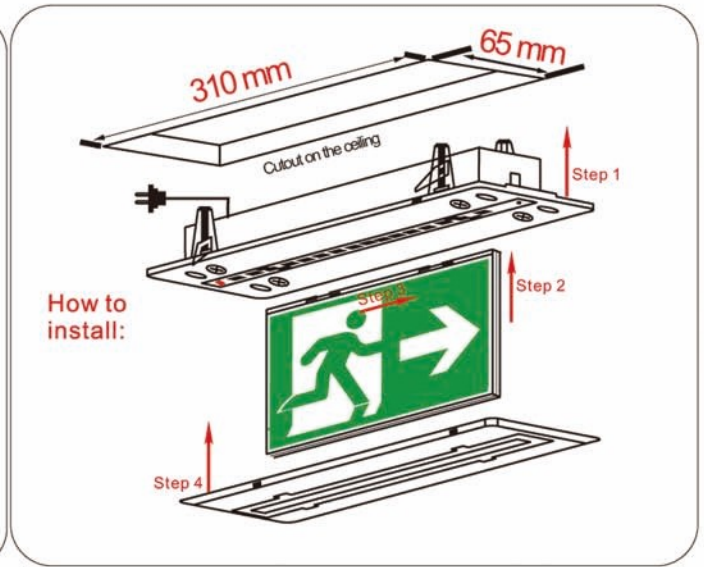
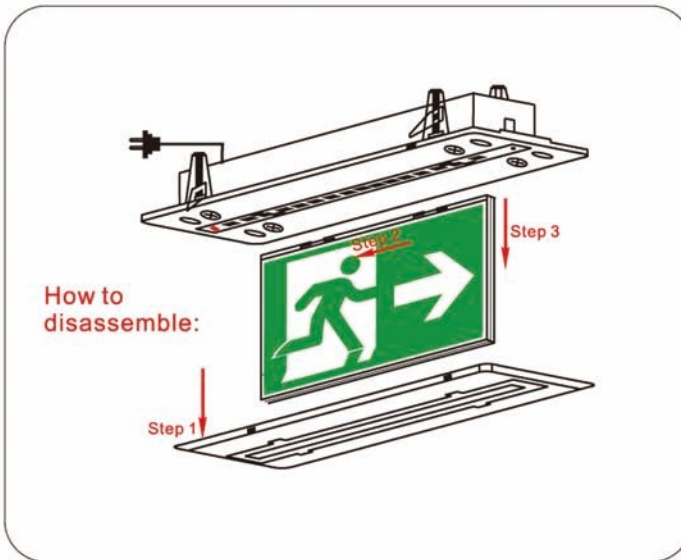


- EASY TO INSTALL
- COMPLIES WITH AS/NZS2293
- HIGH PERFORMANCE NiMH BATTERY, 3 HOURS OPERATION



### INSTALLATION INSTRUCTIONS



<b>Input Voltage</b>	220-240V, 50/60Hz	<b>IP rating</b>	IP 20
<b>AC Power Consumption</b>	3W (Maintained operation)	<b>Classification</b>	24M C0:B4 C90:B4
<b>Working temperature</b>	0°C to 40°C	<b>Mounting</b>	Recessed
<b>Class</b>	II	<b>Wiring</b>	Plug and Flex
<b>Charge time:</b>	16 hours(24hours)	<b>Battery</b>	NI-MH Battery 4.8V 800mAh
<b>Emergency time</b>	2 hours(3hours)	<b>Material</b>	Plastic & PMMA