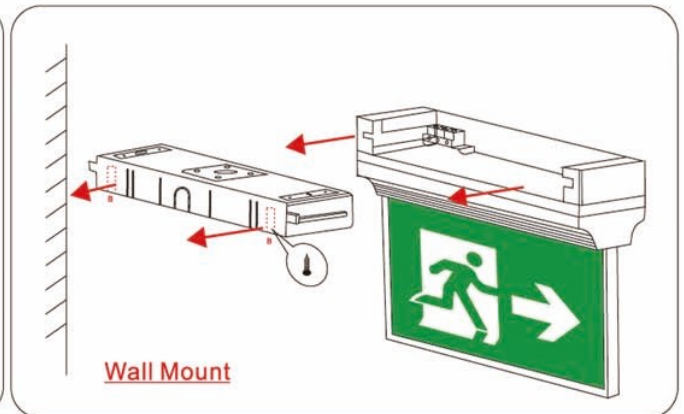
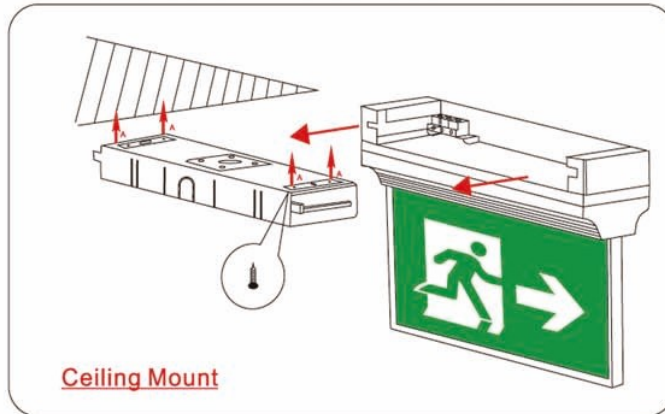


- EASY TO INSTALL
- COMPLIES WITH AS/NZS2293
- HIGH PERFORMANCE NiMH BATTERY, 3 HOURS OPERATION



INSTALLATION INSTRUCTIONS



Input Voltage	220-240V, 50/60Hz	IP rating	IP 20
AC Power Consumption	3W (Maintained operation)	Classification	24M C0:B4 C90:B4
Working temperature	0°C to 40°C	Mounting	Ceiling mount / wall mount
Class	II	Wiring	terminal block
Charge time:	16 hours(24hours)	Battery	Ni-MH Battery 4.8V 800mAh
Emergency time	2 hours(3hours)	Material	Plastic & PMMA