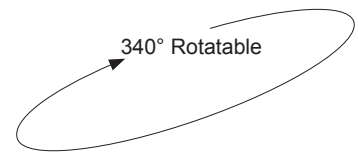
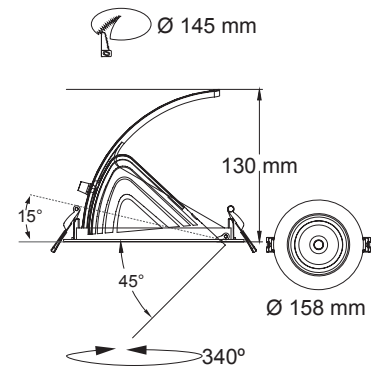
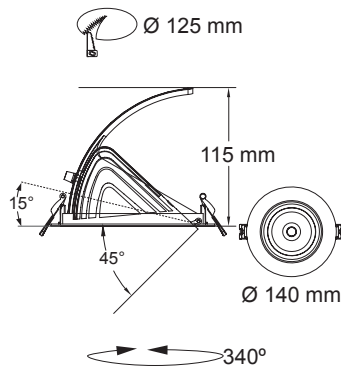
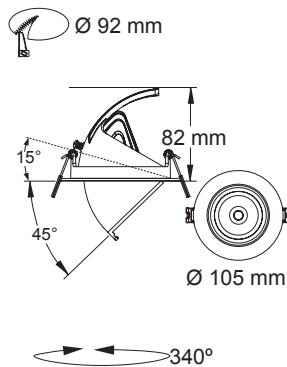


LED SHOP LIGHT

S9525 NEWMAN III



DIMENSIONS



CONSTRUCTION

- Die-cast aluminium body
- Powder coated finish
- A bracket mechanism ensures optimum tilting function 60° (-15° ~ +45°) and rotating 340°
- High output COB LED chip
- Specially designed optical lens
- Changeable multi-reflector system
- Constant current trailing edge dimmable LED driver fitted (S9525/92)
- Constant current non-dimmable LED driver fitted (S9525/125, S9525/145)
- 1.2 m flex & 2 pin plug fitted

IP RATING

- IP20 suitable for interior use only

DIMMING OPTIONS

- Trailing edge (excluding S9525/125)
- 1-10V analogue
- DALI / DSI, digital

BEAM ANGLE

- 40° (standard)
- 24° (option)

Commercial Lighting Designs
 Website: commerciallightingdesigns.com.au
 Email: info@commerciallightingdesigns.com.au
 Phone: 02 8014 3897

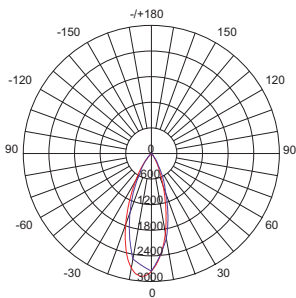


| Model No. | Input | Power | Lumen | CCT | Beam Angle | CRI | Dimmable | Fitting Colour |
|----------------|-------|-------|--------|-------|------------|-----|----------|----------------|
| S9525/92WW/WH | 240V | 15W | 1300lm | 3000K | 40° | >80 | Yes* | White |
| S9525/92CW/WH | 240V | 15W | 1400lm | 4000K | 40° | >80 | Yes* | White |
| S9525/92DL/WH | 240V | 15W | 1500lm | 5700K | 40° | >80 | Yes* | White |
| S9525/125WW/WH | 240V | 25W | 1900lm | 3000K | 40° | >80 | No | White |
| S9525/125CW/WH | 240V | 25W | 2000lm | 4000K | 40° | >80 | No | White |
| S9525/125DL/WH | 240V | 25W | 2100lm | 5700K | 40° | >80 | No | White |
| S9525/145WW/WH | 240V | 35W | 2600lm | 3000K | 40° | >80 | No | White |
| S9525/145CW/WH | 240V | 35W | 2700lm | 4000K | 40° | >80 | No | White |
| S9525/145DL/WH | 240V | 35W | 2800lm | 5700K | 40° | >80 | No | White |

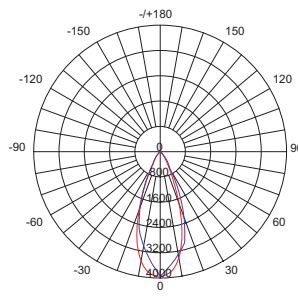
* Trailing edge dimming

PHOTOMETRIC DATA Unit: cd C0/C180 ——— C90/270

S9525/92WW/WH



S9525/125WW/WH



S9525/145WW/WH

