

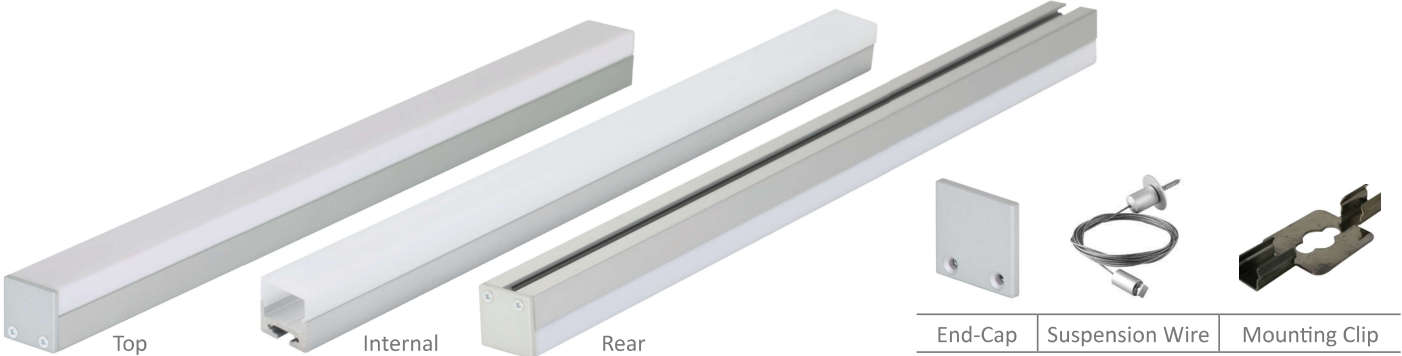


# BOBBY-BLOC

## LED Mounting Profile

### Description

Introducing the BOBBY-BLOC LED mounting profile system. The BOBBY-BLOC is specifically designed for the Domus range of LED strip lighting. This aluminium mounting profile system incorporated extruded profile complete with a square opal colour PMMA diffuser. The key features of the BOBBY-BLOC is the ability to not only conceal the LED strip lighting but also keep the strip lighting linear. Also, the BOBBY-BLOC keeps LEDs free from foreign objects and vapours which may damage the LEDs. The finishing of this product is a perfect complement to any area where discrete lighting is required. Applications include lounge rooms, dining areas, bathrooms, storage areas, shelving or any other architectural application.



### Specification Features

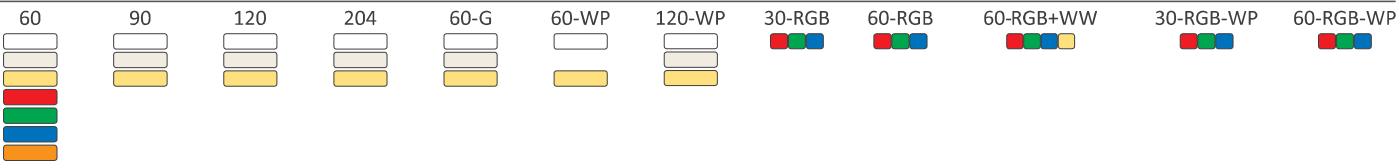
Installation:	Surface, wall or suspended mounted
Material:	Extruded aluminium 6063
Finish:	Natural clear anodised
Diffuser:	Square (PMMA) Opal colour
Length (mm):	2500mm continuous*
Size (mm):	(W) 19.8mm (H) 19.6mm
Accessories (each):	End caps (anodised), wire suspensions and mounting clips**
Special:	Custom powder coated colour upon request***
Driver Installation:	Remote driver required (not included)

\* Profile sold per meter. Can be cut to suit any length.  
 \*\* Accessories to be ordered separately.  
 \*\*\* Special powder coat finishes upon request. Surcharges apply.

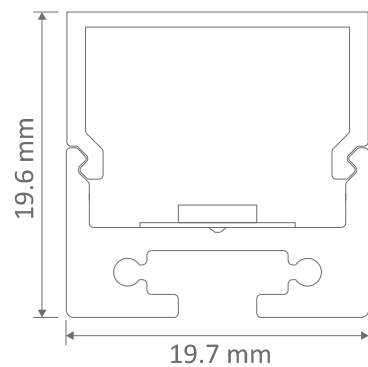
### Order Info:

Product Code:	BOBBY-BLOC
Order Code:	22010
Sold per (m)	1mtr
Product Code:	BOBBY-BLOC-CAP
Order Code:	22011
Colour:	Anodised
Sold per (m)	Each
Product Code:	BOBBY-MOUNT
Order Code:	21999
Length (m):	Stainless Steel
Sold per (each):	Each
Product Code:	PROFILE-SUSPENSION
Order Code:	22041
Length (m):	2mtr Standard Height
Sold per (each):	Each

### Compatible LED Strip Lighting



### Diagrams / Additional



### LED Output Variance:

