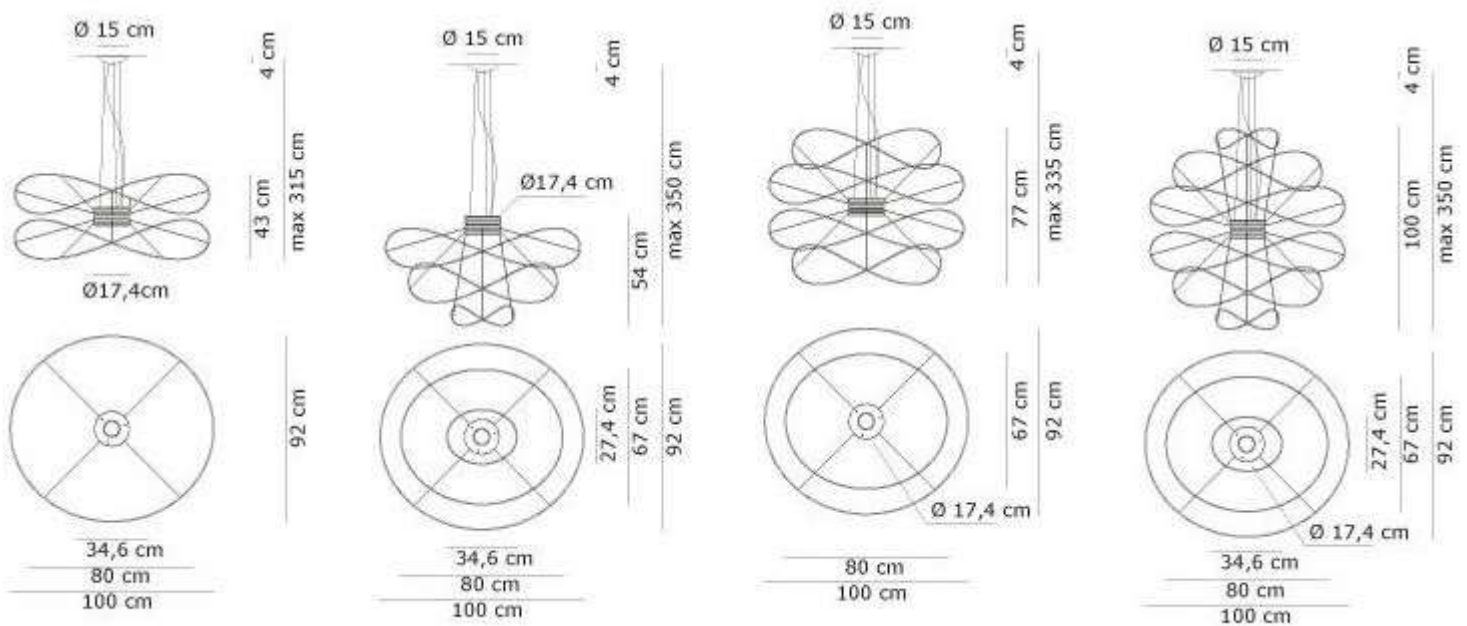


# HOOPS COLLECTION

## Suspension

A collection comprising of suspension pendants and ceiling lamps with interchangeable elements in different shapes and sizes. 24K gold finish. Light source: integrated LED. The suspended fitting can light upward and downward at the same time.

The light is available in 4 sizes.

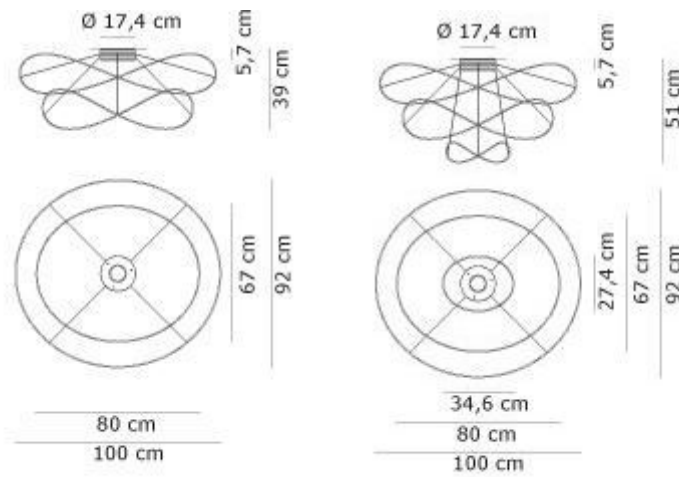




Commercial Lighting Design  
Website: [commerciallightingdesigns.com.au](http://commerciallightingdesigns.com.au)  
Email: [info@commerciallightingdesigns.com.au](mailto:info@commerciallightingdesigns.com.au)  
Phone: 02 8014 3897

# Ceiling

The ceiling fitting is available in two sizes.



Commercial Lighting Design  
Website: [commerciallightingdesigns.com.au](http://commerciallightingdesigns.com.au)  
Email: [info@commerciallightingdesigns.com.au](mailto:info@commerciallightingdesigns.com.au)  
Phone: 02 8014 3897