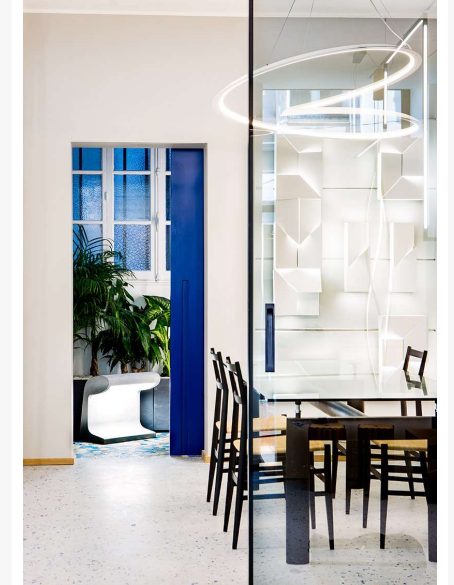


Kepler Pendant





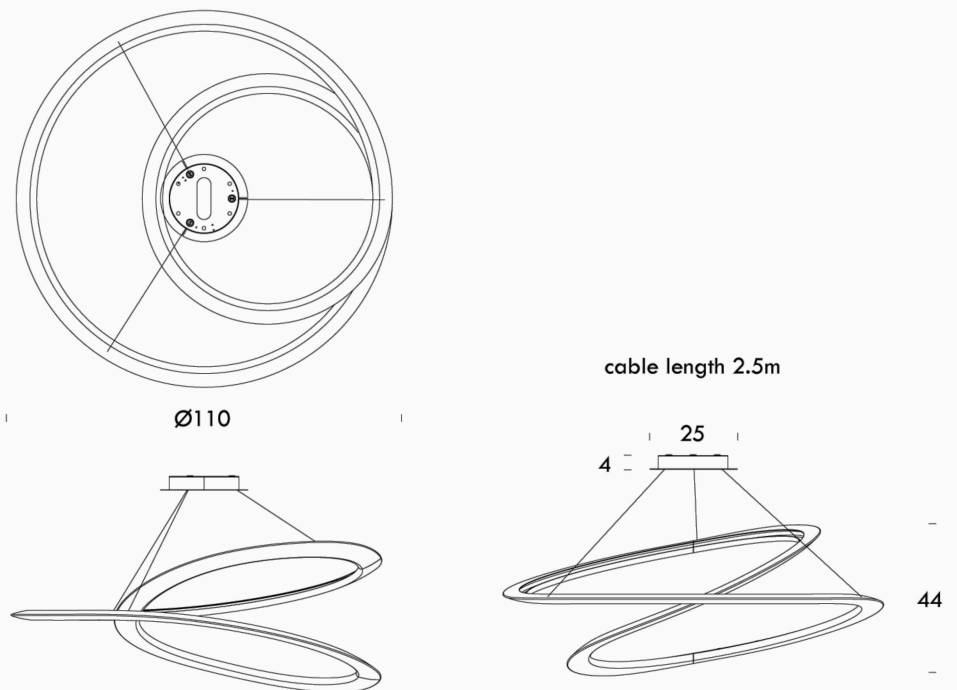
Description

Pendant lamp in epoxy-coated aluminium, in matt white or black. Available in uplight and downlight versions for widespread and comfortable lighting. The endless line is made through a 3-dimensional deformation process of extruded aluminium, designed using the mathematics of Möbius ribbons.

Additional Information

Supplier	NEMO
Designer	Arihiro Miyake
Country	Italy
Finishes	Black, White
Materials	Aluminium
SKU	NE S/KEPLER
Colour Temp	2700k
Source	LED
Wattage	65w
Output	6300lm
CRI	83
Dimmable	Yes
Installation	Surface Mounted

Dimensions



Max Drop

2.5m

Warranty

2yr commercial / 3yr residential

Commercial Lighting Design
 Website: commerciallightingdesigns.com.au
 Email: info@commerciallightingdesigns.com.au
 Phone: 02 8014 3897