
SEMAI



SEMAI suspension by designers Alberto Saggia and Valerio Sommella.

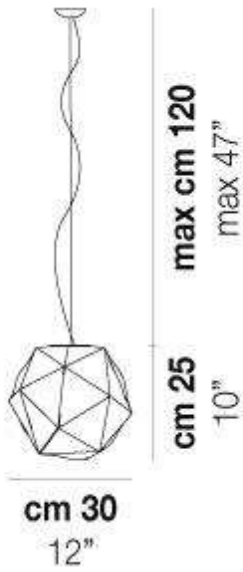
It is made from gloss white mouth blown Murano triplex glass. The Glass is blown into a polyhydic burnished stainless steel cage. This free blowing technique makes each lamp intriguing in design so unique and perfect for a wide range of interiors

Globe:

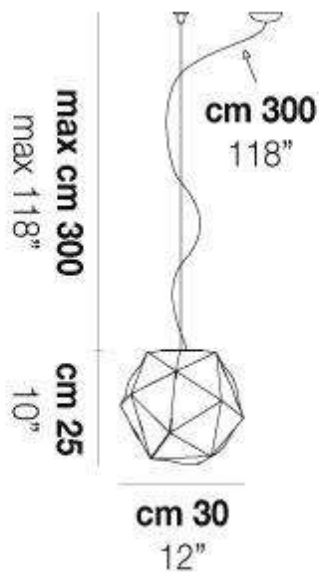
1 x E27 70w MAX



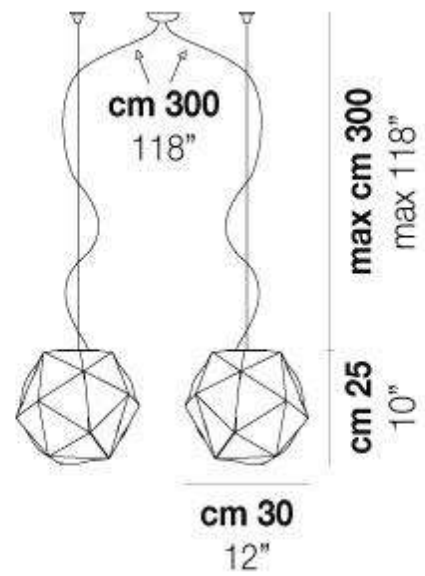
SEMAI SMALL



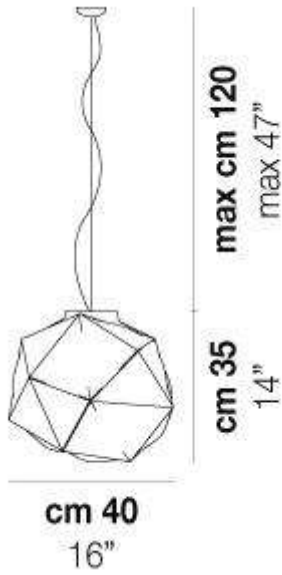
Small Single Swag Canopy



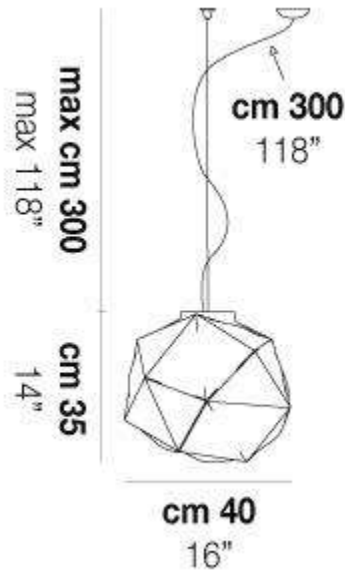
Small Double Swag Canopy



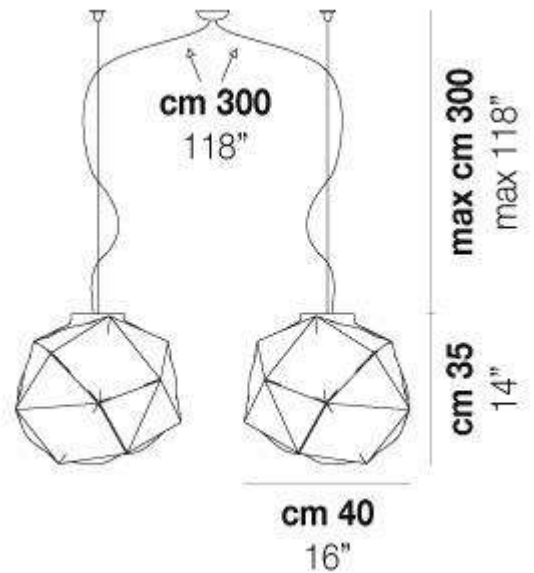
SEMAI MEDIUM



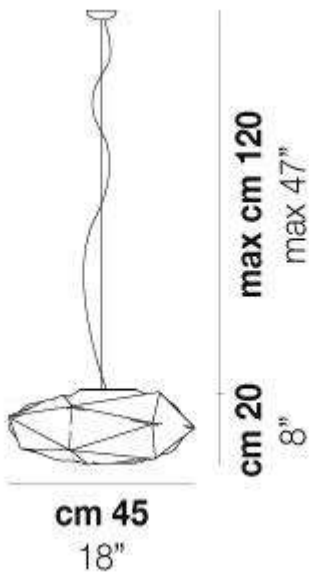
Medium Single Swag Canopy



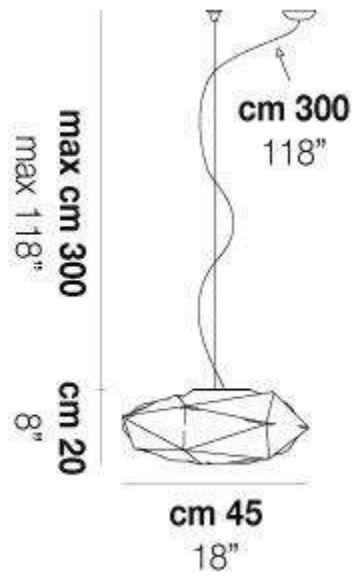
Medium Double Swag Canopy



SEMAI LARGE



Large Single Swag Canopy



Large Double Swag Canopy

