

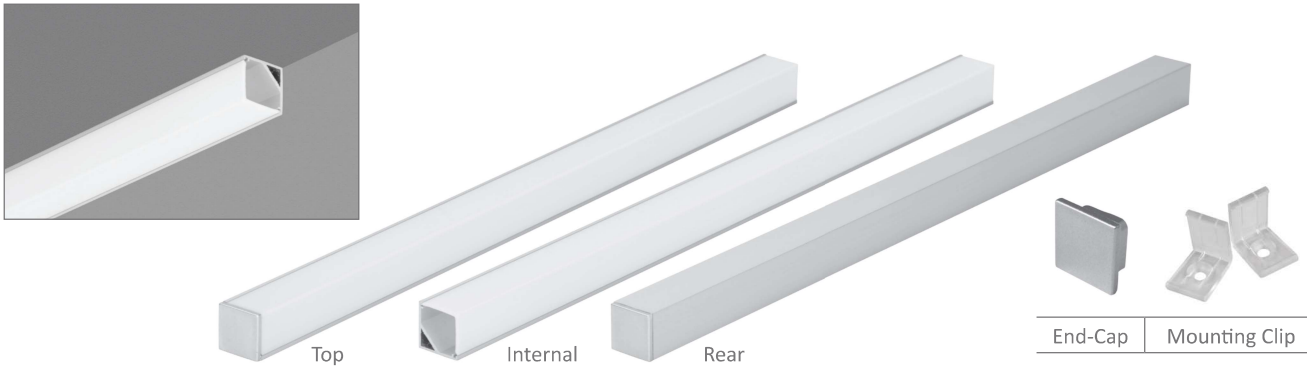


QUAD-LINE-MINI

LED Mounting Profile

Description

Introducing the QUAD-LINE MINI mounting profile system. The QUAD-LINE MINI is specifically designed for the Domus range of LED strip lighting. This aluminium mounting profile system incorporated extruded profile complete with a square opal colour PMMA diffuser. The key features of the QUAD-LINE MINI is the ability to not only conceal the LED strip lighting but also keep the strip lighting linear. Also, the QUAD-LINE MINI keeps LEDs free from foreign objects and vapours which may damage the LEDs. Another key point is in the mounting of this profile. Specifically designed to be mounted against hard surfaces, under shelving or steps with the ability to focus the light on a 45° angle. Perfect for under kitchen cupboards, built-in wardrobes and stairs where angled on the working surface is needed.



Specification Features

Installation:	Surface mounted
Material:	Extruded aluminium 6063
Finish:	Natural clear anodised
Diffuser:	Square (PMMA) Opal colour
Length (mm):	2500mm continuous*
Size (mm):	Profile (W) 16mm, (H) 16mm
Accessories (each):	End caps (silver) and mounting clips**
Special:	Custom powder coated colour upon request***
Driver Installation:	Remote driver required (not included)

* Profile sold per meter. Can be cut to suit any length.

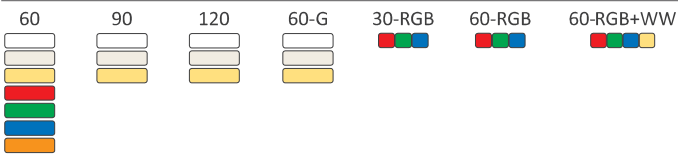
** Accessories to be ordered separately.

*** Special powder coat finishes upon request. Surcharges apply.

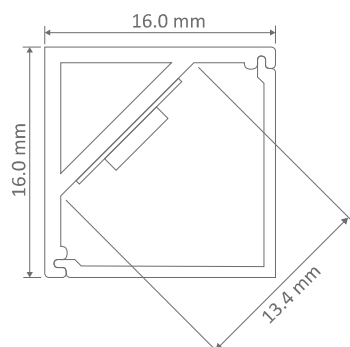
Order Info:

Product Code:	QUAD-LINE
Order Code:	22028
Sold per (m)	1mtr
Product Code:	QUAD-LINE-END-CAP
Order Code:	22029
Colour:	Silver finish
Sold per (each)	Each
Product Code:	MINI-Q/QUAD-MOUNTING-CLIP
Order Code:	22030
Colour:	Clear
Sold per (each):	Each

Compatible LED Strip Lighting



Diagrams / Additional



LED Output Variance:

